

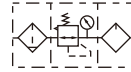
# Preparation unit——GA Series

## GAC Series F.R.L. combination

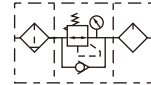


### Symbol

No reflux valve is attached



Reflux valve is attached



### Product feature

1. Quick and reliable mounting clamps makes it convenient to install and use.
2. The performance of pressure adjustment is reliable with high precision.
3. The efficiency of eliminating moisture and solid grain is high.
4. Two drain types are available: manual drain+semi-auto drain and automatic drain.
5. Three bowl materials are available: PC, Metal and Nylon.

### Specification

Model	GAC200-06	GAC200-08	GAC300-08	GAC300-10	GAC300-15	GAC400-10	GAC400-15	GAC500-20	GAC600-20	GAC600-25	
Fluid	Air										
Port size [Note1]	1/8"	1/4"	1/4"	3/8"	1/2"	3/8"	1/2"	3/4"	3/4"	1"	
Filtering grade	40µm or 5µm										
Pressure range	0.15~0.9MPa(20~130psi)										
Max. pressure	1.0MPa(145psi)										
Proof pressure	1.5MPa(215psi)										
Temperature range	-5~70°C(Unfreeze)										
Capacity of drain bowl	25CC		60CC			100CC		108CC	205CC		
Capacity of oil bowl	36CC		98CC			185CC		225CC	410CC		
Recommended lubricant	ISO VG 32 or equivalent										
Weight	750g		1300g			2390g		2460g	4600g		
Constitute	Filter	GAF200-06	GAF200-08	GAF300-08	GAF300-10	GAF300-15	GAF400-10	GAF400-15	GAF500-20	GAF600-20	GAF600-25
	Regulator	GAR200-06	GAR200-08	GAR300-08	GAR300-10	GAR300-15	GAR400-10	GAR400-15	GAR500-20	GAR600-20	GAR600-25
	Lubricator	GAL200-06	GAL200-08	GAL300-08	GAL300-10	GAL300-15	GAL400-10	GAL400-15	GAL500-20	GAL600-20	GAL600-25

[Note1] PT thread, G thread and NPT thread are available.

### Ordering code

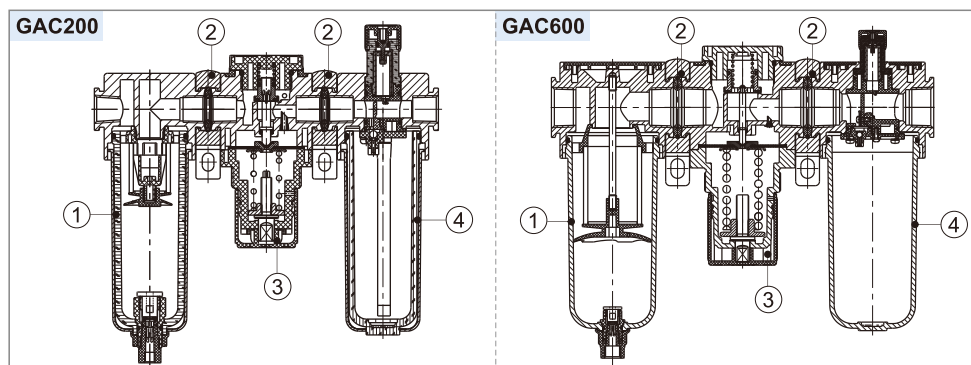
GAC300 □ 10 □ S □ W G K

① ② ③ ④ ⑤ ⑥ ⑦ ⑧ ⑨

① Model	② Bowl material	③ Port size	④ Drain type	⑤ Type code	⑥ Pressure gauge	⑦ Filtering grade	⑧ Thread type	⑨ Code of reflux valve
GAC200:GA200 Series F.R.L unit	Blank : PC bowl C: Metal bowl N: Nylon bowl C: Metal bowl	06: 1/8" 08: 1/4"	Blank: Semi-auto drain +Manual drain A: Automatic drain	S: Standard	Blank: Circular N: No gauge [Note2]	Blank: 40µm W: 5µm	Blank: PT (MPa/psi) G: G (bar/MPa) T: NPT (psi/bar)	Blank: No reverse flow valve is attached K: Reverse flow valve is attached [Note2]
GAC300:GA300 Series F.R.L unit		08: 1/4" 10: 3/8" 15: 1/2"		L: Lower pressure [Note1]				
GAC400:GA400 Series F.R.L unit		10: 3/8" 15: 1/2"						
GAC500:GA500 Series F.R.L unit		20: 3/4"						
GAC600:GA600 Series F.R.L unit		20: 3/4" 25: 1"		S: Standard				

[Note1] The work pressure of lower pressure type is 0.15~0.4MPa(20~58psi) ; [Note2] Please refer to page 235 for details of sealing plate Installation and reflux valve.

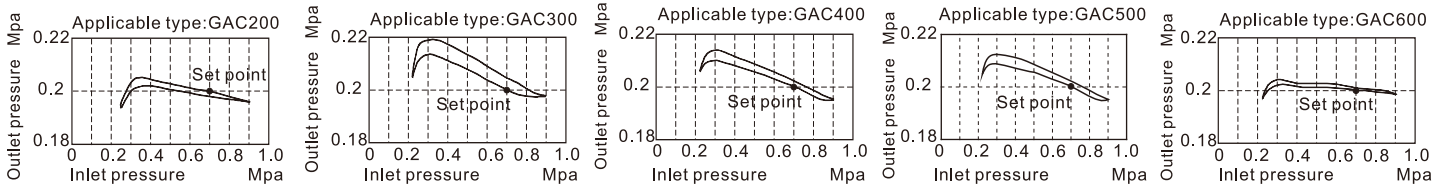
### Inner structure



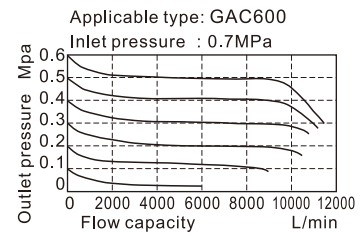
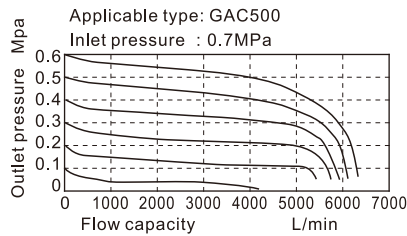
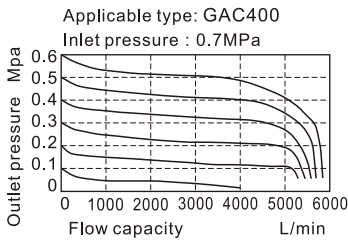
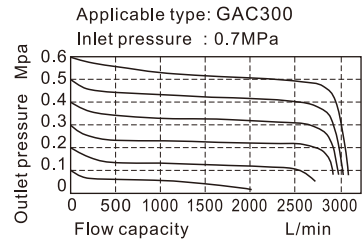
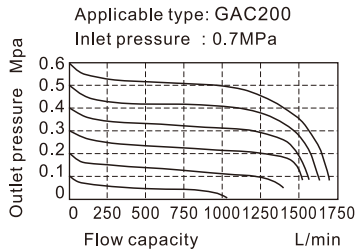
No.	Item	No.	Item
1	GA series filter	3	GA series regulator
2	Bracket	4	GA series lubricator

## GAC Series F.R.L. combination

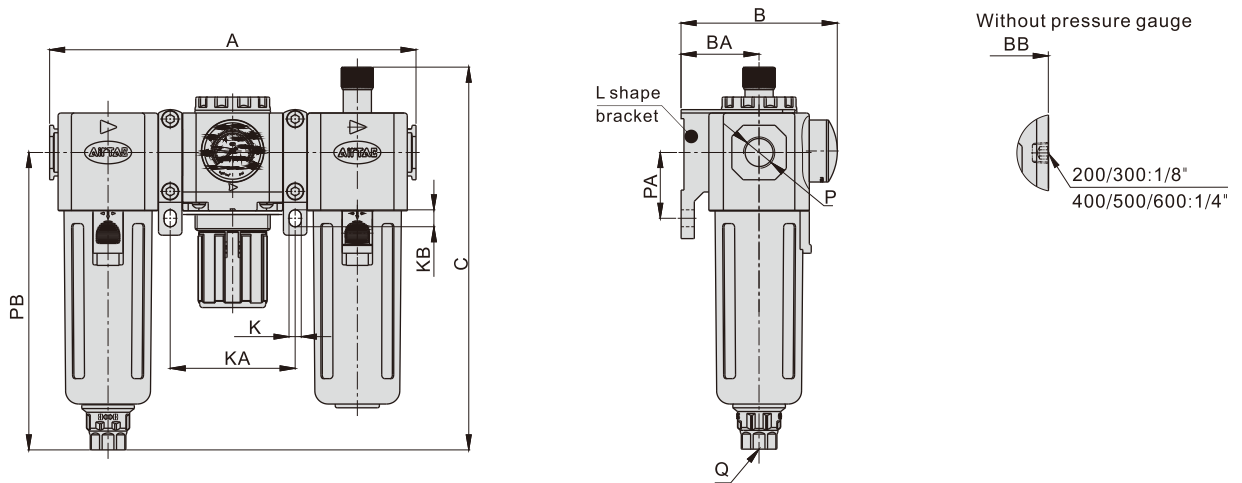
### Pressure chart



### Flow chart



### Dimensions



Model/Item	A	B	BA	BB	C	K	KA	KB	P	PA	PB	Q
GAC200-06	163.5	69	30	51.5	160	5.5	55.5	8.5	1/8"	25	120	M5X0.8
GAC200-08	163.5	69	30	51.5	160	5.5	55.5	8.5	1/4"	25	120	M5X0.8
GAC300-08	195	83	41.5	67.5	203.5	6.5	66.5	9	1/4"	35	158	G1/4
GAC300-10	195	83	41.5	67.5	203.5	6.5	66.5	9	3/8"	35	158	G1/4
GAC300-15	195	83	41.5	67.5	203.5	6.5	66.5	9	1/2"	35	158	G1/4
GAC400-10	248	99	50	84	227	8.6	84	12	3/8"	40	177.5	G1/4
GAC400-15	248	99	50	84	227	8.6	84	12	1/2"	40	177.5	G1/4
GAC500-20	254	100	50	85	241	8.6	86	12	3/4"	40	191.5	G1/4
GAC600-20	312	128	70	113	267.5	11	106	16	3/4"	50	205	G1/4
GAC600-25	312	128	70	113	267.5	11	106	16	1"	50	205	G1/4