

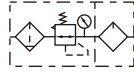
# Preparation unit——GA Series

## GAFC100 Series FR.L. combination



### Symbol

Reflux valve option is not available



### Specification

Model	GAFC100M5	GAFC10006	
Fluid	Air		
Port size [Note1]	M5	1/8"	
Filtering grade	40μm or 5μm		
Pressure range	0.15~0.9MPa(20~130psi)		
Max. pressure	1.0MPa(145psi)		
Proof pressure	1.5MPa(215psi)		
Temperature range	-5~70°C(Unfreeze)		
Capacity of drain bowl	6CC		
Capacity of oil bowl	9CC		
Recommended lubricant	ISO VG 32 or equivalent		
Weight	158g		
Constitute	Filter & Regulator	GAFR100M5	GAFR10006
	Lubricator	GAL100M5	GAL10006

[Note1] PT thread, G thread and NPT thread are available.

### Ordering code

GAFC100  06  S  W G

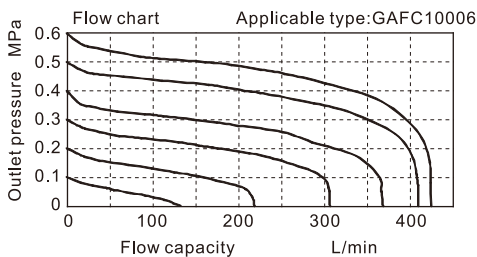
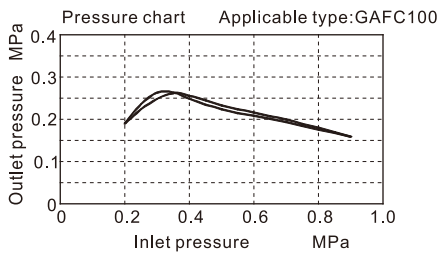
① ② ③ ④ ⑤ ⑥ ⑦ ⑧ ⑨

① Model	② Bowl material	③ Port size	④ Drain type	⑤ Type code	⑥ Pressure gauge	⑦ Filtering grade	⑧ Thread type[Note2]	⑨ Code of reflux valve
GAFC100:GA100 Series FR.L unit	Blank : PC	M5: M5 06: 1/8"	Blank: Semi-auto drain+Manual drain	S: Standard L: Lower pressure [Note1]	Blank: Circular N: No gauge	Blank: 40μm W: 5μm	Blank: PT (MPa/psi) G: G (bar/MPa) T: NPT (psi/bar)	Blank: Reflux valve is not available

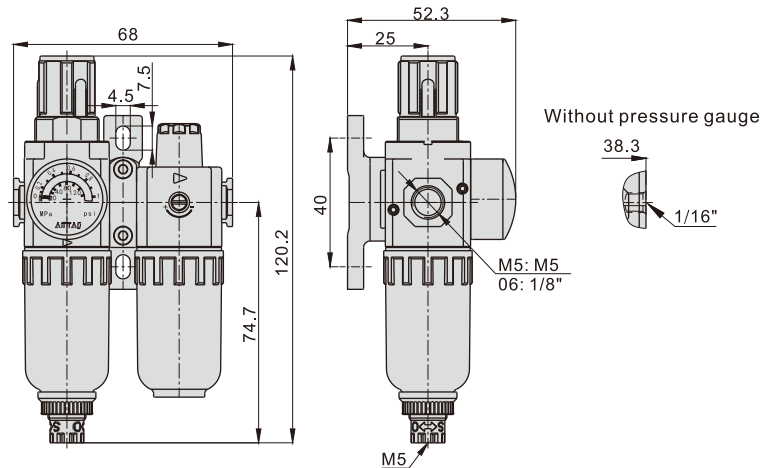
[Note1] The working pressure range of lower pressure type is 0.15~0.4MPa(20~58psi) ;

[Note 2] Thread type means connecting thread and scales of pressure gauge while port size is M5.

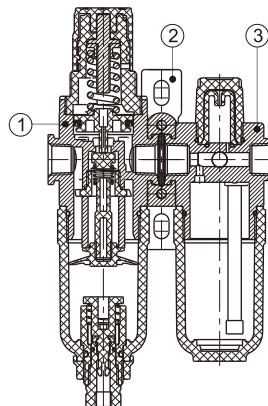
### Pressure and Flow chart



### Dimensions



### Inner structure



No.	Item
1	GAFR100 series filter & regulator
2	Bracket
3	GAL100 series lubricator