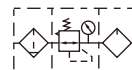


Preparation unit——A, B Series

AC、BC Series F.R.L. Combination



Symbol



Product feature

1. The structure is delicate and compact, which is convenient for installation and application.
2. The pressed-in self-locking mechanism can prevent the abnormal movement of the set pressure caused by external interfere.
3. The pressure loss is low and the efficiency of water separating is high.
4. The quantity of oil dripping can be directly observed through transparent check-dome.
5. In addition to standard type, lower pressure type is optional (The highest adjustable pressure is 0.4MPa).

Specification

| Model | Ac1500 | AC2000 | BC2000 | BC3000 | BC4000 | |
|------------------------|---|--------|--------|--------|--------|--------|
| Fluid | Air | | | | | |
| Port size [Note1] | 1/8" | 1/4" | 1/4" | 3/8" | 1/2" | |
| Filtering grade | 40μm or 5μm | | | | | |
| Pressure range | Semi-auto and automatic drain:0.15~0.9MPa(20~130Psi) Manual drain:0.05~0.9MPa(7~130Psi) | | | | | |
| Max. pressure | 1.0MPa(145Psi) | | | | | |
| Proof pressure | 1.5MPa(215Psi) | | | | | |
| Temperature range | -5~70°C(unfreeze) | | | | | |
| Capacity of drain bowl | 15CC | | 60CC | | | |
| Capacity of oil bowl | 25CC | | 90CC | | | |
| Recommended lubricant | ISO VG 32 or equivalent | | | | | |
| Weight | 700g | | | 900g | | |
| Constitute | Filter | AF1500 | AF2000 | BF2000 | BF3000 | BF4000 |
| | Regulator | AR1500 | AR2000 | BR2000 | BR3000 | BR4000 |
| | Lubricator | AL1500 | AL2000 | BL2000 | BL3000 | BL4000 |

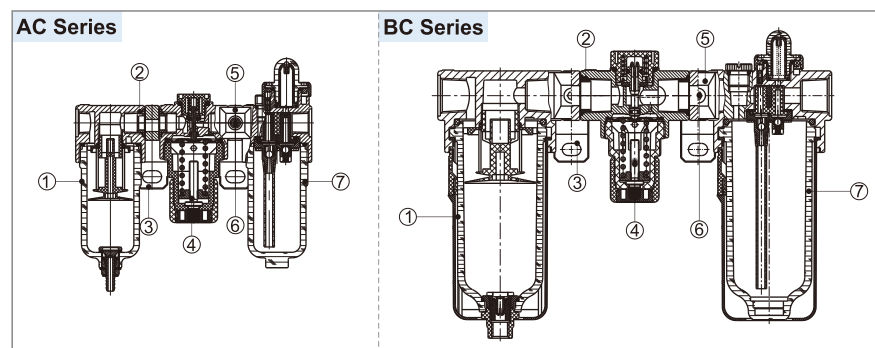
[Note1] PT thread, G thread and NPT thread are available.

Ordering code

AC 2000 M □ □ 1 W □
 ① ② ③ ④ ⑤ ⑥ ⑦ ⑧

| ① Model | ② Port size | ③ Drain type | ④ Type code | ⑤ Pressure gauge | ⑥ Scale | ⑦ Filtering grade | ⑧ Thread type |
|----------------------------|--|---|-------------------------------|--------------------------|---|------------------------|--|
| AC: A Series F.R.L unit | 1500: 1/8" 2000: 1/4" | Blank: Semi-auto drain M: Manual drain | Blank: Standard (0.9MPa) | Blank: Pressure gauge | 1: MPa 2: psi 3: bar 4: kgf/cm ² & psi | Blank: 40μm W : 5μm | Blank: PT (Scale: MPa or kgf/cm ² & psi) G: G(Scale:bar) T: NPT(Scale:psi) |
| BC: B Series F.R.L unit | 2000: 1/4" 3000: 3/8" 4000: 1/2" | Blank: Semi-auto drain M: Manual drain A: Automatic drain | L: Lower pressure (0.4MPa) | N: No pressure gauge | | | |

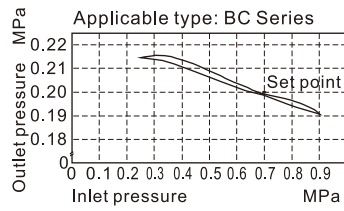
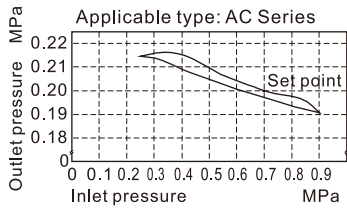
Inner structure



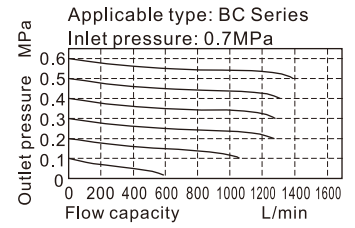
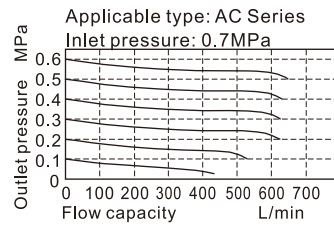
| No. | Item | No. | Item |
|-----|-------------------------|-----|--------------------------|
| 1 | AF, BF Series filter | 5 | A, B Series fix kit |
| 2 | A, B Series gasket | 6 | Screw |
| 3 | A, B Series bracket | 7 | AL, BL Series lubricator |
| 4 | AR, BR Series regulator | | |

Pressure and feature of flow

Pressure chart



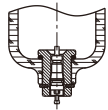
Flow chart



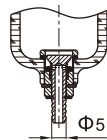
Selection of drain mode

AC Series

Manual drain



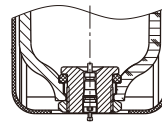
Semi-auto drain



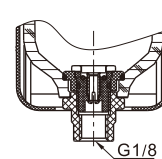
This semi-auto drain can also achieve the function of manual drain.
PU tube with an inner diameter of Φ4mm is recommended

BC Series

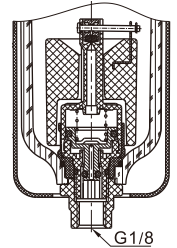
Manual drain



Semi-auto drain

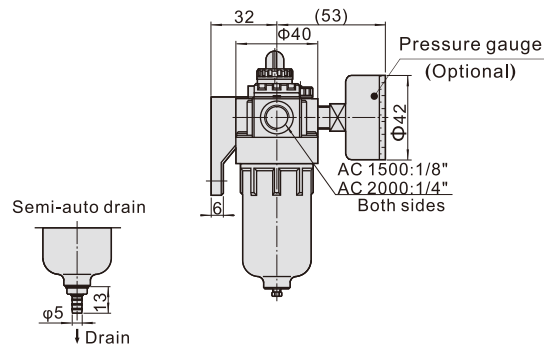
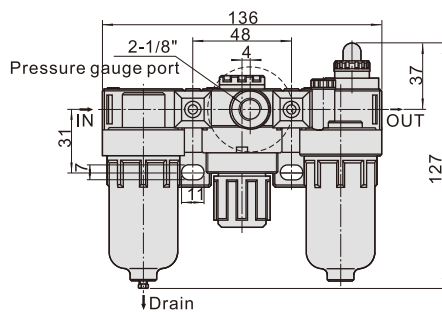


Automatic drain



Dimensions

AC Series



BC Series

