

Integrated solenoid valve's cable

F-DSUB25/F-DSUB37

Cable ordering code

F - DSUB 25 F 200

① ② ③ ④



① Model	DSUB: D-SUB Cable		
② Pin Number	25: 25PIN	37: 37PIN	
③ Terminal type	F: Two Females	M: One Female + another male	S: One Female+another wire
④ Wire length	200: 2m	300: 3m	500: 5m
	150: 1.5m	200: 2m	300: 3m

Specification

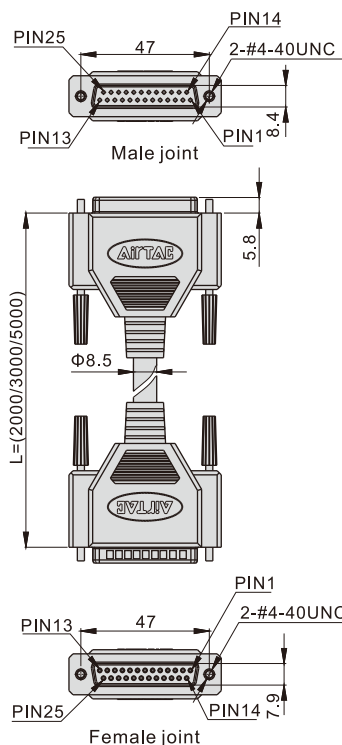
1. Flame resistant grade: UL94 VW-1.
2. Rated temperature: 80°C.
3. Rated voltage: 300V.

How to select cable

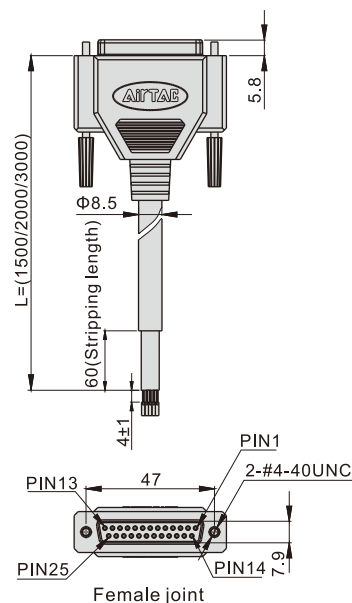
Cable type\Valve type	CPV10S	CPV15S	6D	6DW
F-DSUB25	•	•	•	
F-DSUB37				•

Dimensions and wire's assignment

F-DSUB25F(M)



F-DSUB25S



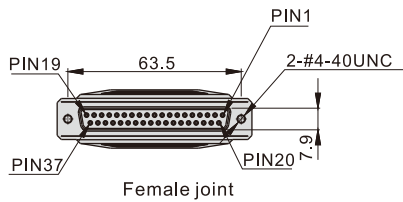
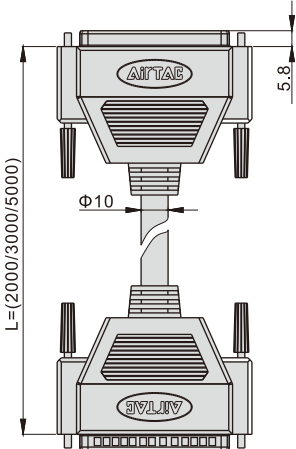
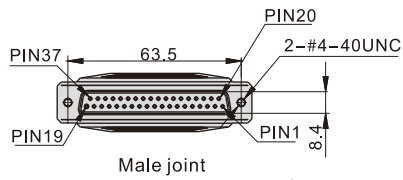
Wire's assignment

PIN	Color
1	Black
2	Tawny
3	Red
4	Orange
5	Yellow
6	Pink
7	Blue
8	Violet+White
9	Gray+Black
10	White+Black
11	White+Red
12	Yellow+Red
13	Orange+Red
14	Yellow+Black
15	Pink+Black
16	Blue+White
17	Violet
18	Gray
19	Orange+Black
20	Red+White
21	Tawny+White
22	Pink+Red
23	Gray+Red
24	Black+White
25	White

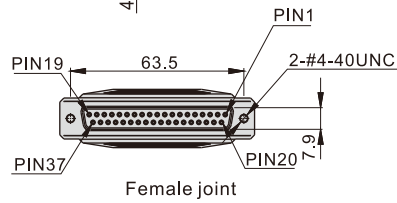
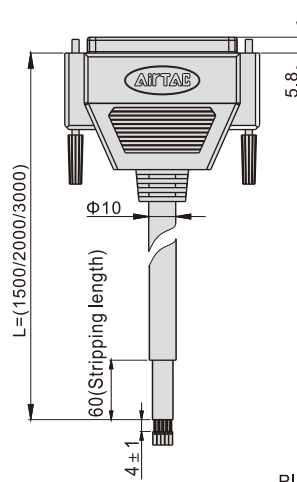
Integrated solenoid valve's cable

F-DSUB25/F-DSUB37

F-DSUB37F(M)



F-DSUB37S



Wire's assignment

PIN	Color
1	Red+Black
2	Gray+Black
3	Brown+Black
4	Orange+Black
5	Yellow+Black
6	Green+Black
7	Blue+Black
8	White+Black
9	Violet+Red
10	Silt green+Black
11	Pink blue+Black
12	Pink+Black
13	Red
14	Gray
15	Brown
16	Orange
17	Yellow
18	Green
19	Black
20	Blue
21	White
22	Violet
23	Silt green
24	Pink blue
25	Pink
26	Red+White
27	Gray+White
28	Brown+White
29	Orange+White
30	Yellow+White
31	Green+White
32	Blue+White
33	Violet+White
34	Silt green+White
35	Pink blue+White
36	Pink+White
37	Red+Green